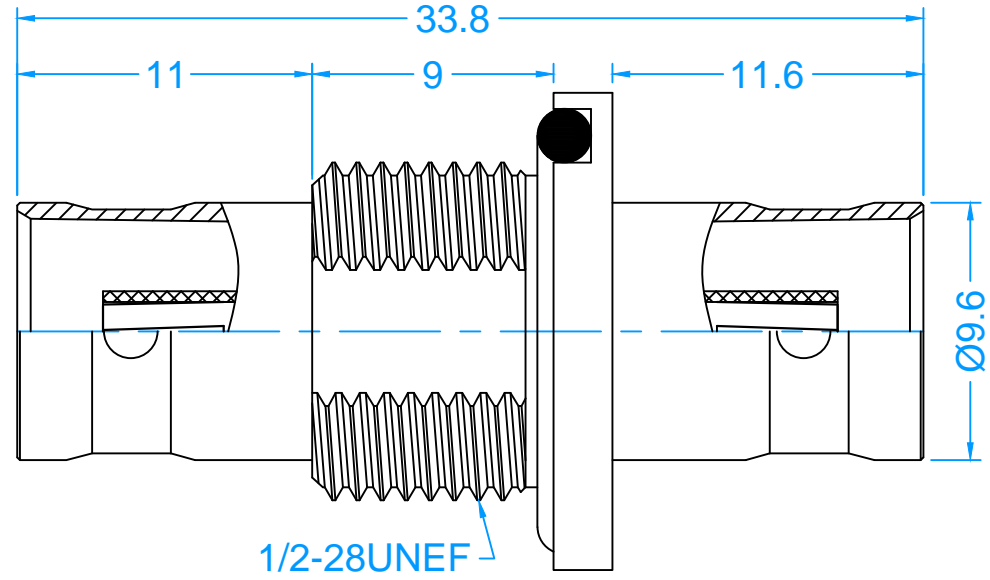
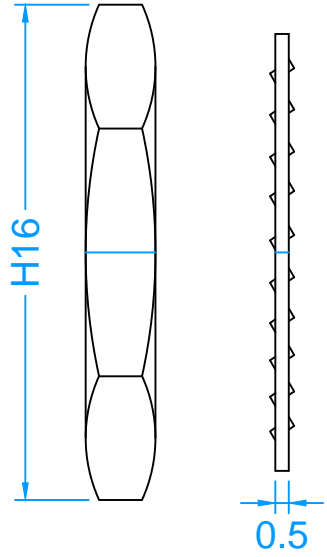


RECOMMENDED
PANEL CUTOUT



Meets MIL-C-39012, CECC 22200, IEC 60169-17, Precision Machining and High Quality Grade Material

TECHNICAL CHARACTERISTICS

Impedance	50Ω	Frequency Range	DC-4GHz
Working Voltage	<500V r.m.s	Withstanding Voltage	1500V r.m.s
Center Contact Resistance	≤1.5mΩ	Outer Contact Resistance	≤0.2mΩ
Insulation Resistance	≥5000MΩ	VSWR	≤1.20
Durability	≥500 cycles	Temperature Range	-45°C to 125°C
Weight	15.75g		

6	Nut	1	Brass	Nickel
5	Washer	1	Brass	Nickel
4	Gasket	1	Silicone	
3	Contact	1	Brass	Gold
2	Insulator	1	PTFE	
1	Body	1	Brass	Nickel

No.	Description	QTY	Material	Finish
-----	-------------	-----	----------	--------

**RoHS
Compliant**

THIRD ANGLE PROJECTION

* MAJOR DIMENSION
UNLESS OTHERWISE
NOTED TOLERANCES

APPROVED
TERRY
CHECKED
JOHN
DRAWN
HENRY

KEM KeMy Electronic Technology Inc.
TITLE
**BNC (F) Jack to BNC (F) Jack Adapter,
Bulkhead, Waterproof**
DRAWING NO. **KM-030310**
REV
0

DRAWN DATE
18 Feb. 2009

SCALE 1:1 UNIT MM