

Part Number	Length (IN)	Length (MM)
KM-021804-0100-OX	3.937±0.15	100±4
KM-021804-006I-OX	6±0.18	152.4±3%
KM-021804-001M-OX	39.370±3%	1000±3%
KM-021804-025F-OX	300±3%	7620±3%

- Additional lengths can be provided by replacing XXXX with the desired length in MM, or XXXI in INCH, or XXXF in FOOT, or XXXM in METER.
- OX in the part number indicates the relative orientation of the two connectors.
- For other orientations or any queries feel free to consult our sales team at SALES@DGKEMY.COM

3	Heat Shrink Tube	2	Black
2	N (M) Plug, R/A	2	KM-010609-600
1	Coaxial Cable	1	LL600
No.	Specification	QTY	Description

**RoHS  
Compliant**

THIRD ANGLE PROJECTION

\* MAJOR DIMENSION  
UNLESS OTHERWISE  
NOTED TOLERANCES

APPROVED  
**JOHN**

CHECKED  
**TERRY**

DRAWN  
**KEVIN**

SCALE 1:1 UNIT MM

DRAWN DATE  
18 Mar. 2025

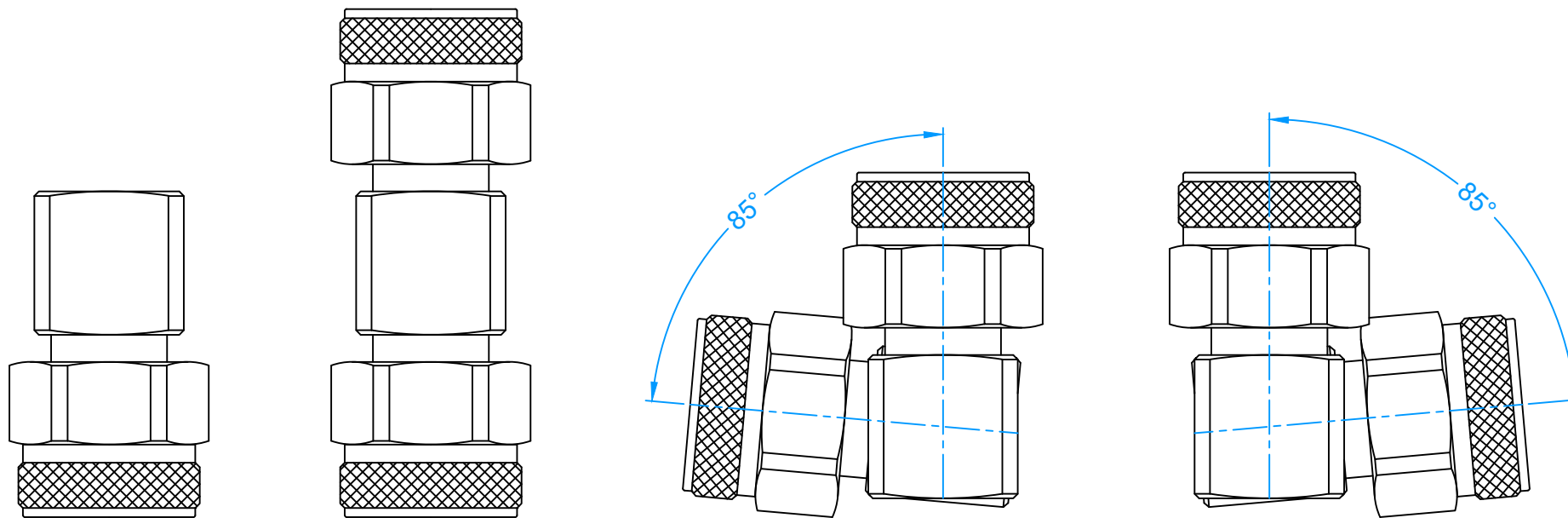
**KEM** KeMy Electronic Technology Inc.

TITLE  
LL600, both ends with N (M) Plug, R/A,  
Various Lengths

DRAWING NO. **KM-021804-XXXX-OX**

REV  
A

The relative orientations of the two connectors:  
 O1: same side orientation.  
 O2: opposite side orientation.  
 O3 & O4: the corresponding angle as shown below.



O1

O2

O3

O4

<h1>RoHS Compliant</h1>	* MAJOR DIMENSION UNLESS OTHERWISE NOTED TOLERANCES			APPROVED <b>JOHN</b>	KeMy Electronic Technology Inc.
				CHECKED <b>TERRY</b>	
				DRAWN <b>KEVIN</b>	DRAWING NO. <b>KM-021804-XXXX-OX</b>
	THIRD ANGLE PROJECTION			SCALE 1:1	UNIT MM
					REV A